

VEPHDL SERIES

THREADED FLAT FACE COUPLERS

The **VEPHDL Series Heavy Duty Locking Flat Face Coupler** is the ultimate failsafe solution for the most demanding hydraulic applications. This locking female version is interchangeable with standard VEPHD series flat face thread-to-connect heavy-duty couplers and features a visual connection indicator for a foolproof connection, every time.

**Protective Caps & Plugs,
Replacement Lock Pins – page 59**



FEATURES

Size range: 1" thru 1 1/2"

Port options: NPT, SAE, Code 62 Flange Ports

Interchanges with VEPHD, VEP

Connect/disconnect up to 25 MPa/3625 psi residual pressure

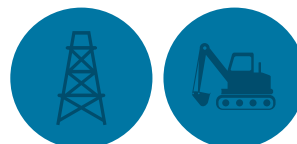
Working pressure: 40-50 MPa/5800-7975 psi range

- Locking heavy duty series with visual connection indicator
- Failsafe leak-free connection

APPLICATIONS

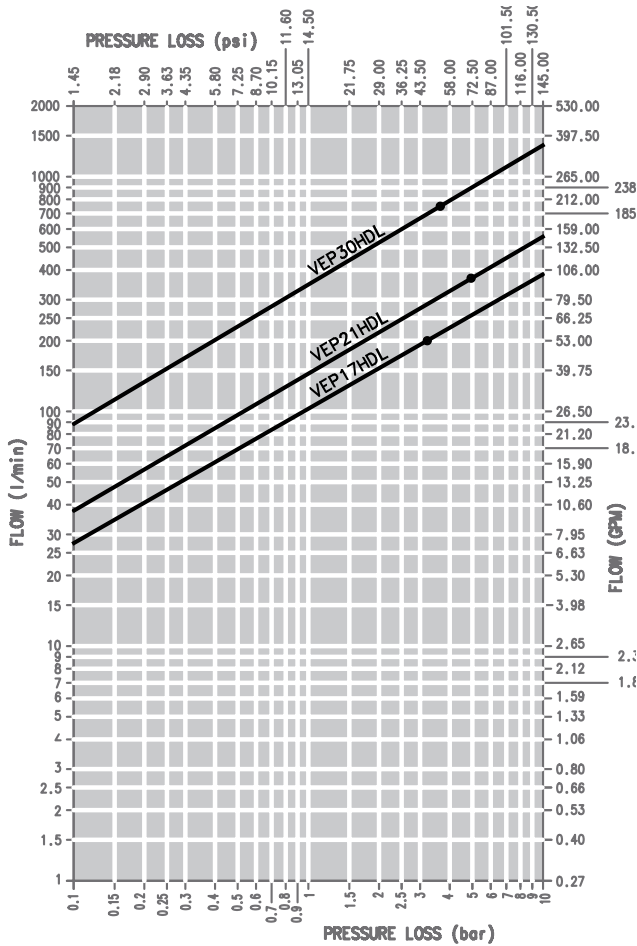
Most demanding hydraulic applications:
high pressure, high impulse

- Heavy duty applications where vibrations and torsion are present
- Mobile excavation and construction: backhoes, loaders, excavators
- Anywhere failsafe connection is critical

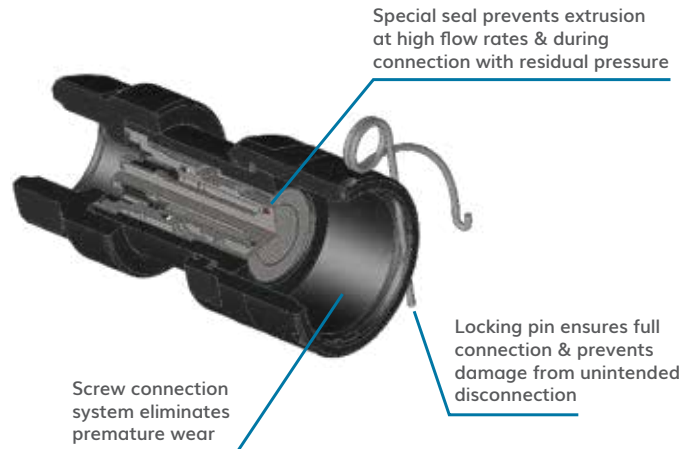




PRESSURE DROP



OIL = ISO VG32, TEMP = 40C, VISCOSITY = 28.8-35.2 MM²/S



PERFORMANCE

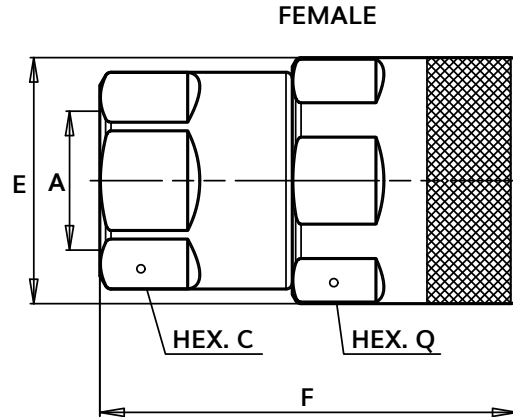
DESCRIPTION	PORT TYPE	SIZE	MAX. OPERATING PRESSURE COUPLED		COUPLED		BURST PRESSURE				MAX. RESIDUAL PRESSURE DURING CONNECTION SPILLAGE*		
			MPa	psi	MPa	psi	MALE	FEMALE	MPa	psi	MPa	psi	ml
VEPHDL FLANGE PORT													
VEP17HDL	FLANGE	1	42	6091	165	24000	165	24000	100	14500	25	3625	0.018
VEP21HDL	FLANGE	1 1/4	42	6091	165	24000	165	24000	80	11600	25	3625	0.060
VEP30HDL	FLANGE	1 1/2	42	6091	165	24000	165	24000	80	11600	25	3625	0.200
VEPHDL NPT / SAE													
VEP17HDL	NPT/SAE	1	50	7250	125	18125	125	18125	100	14500	25	3625	0.018
VEP21HDL	NPT/SAE	1 1/4	47	6815	120	17400	120	17400	100	14500	25	3625	0.060
VEP30HDL	NPT/SAE	1 1/2	40	5800	110	15950	110	15950	80	11600	25	3625	0.200

* Spillage is an indicative value of the fluid loss per couple-uncouple cycle.

VEPHDL SERIES

THREADED FLAT FACE COUPLERS

SIZE DIAGRAM



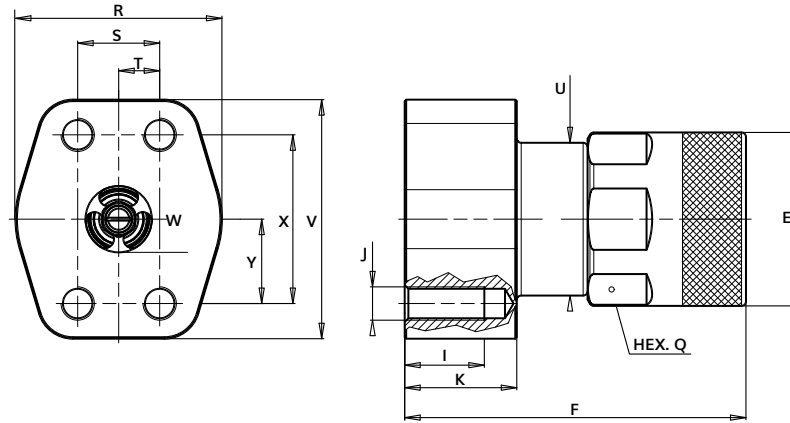
DESCRIPTION	BODY SIZE	A	UNIT	C	E	F	Q	UNIT	WEIGHT
									FEMALE
VEP17HDL	1	3/4	mm	46	58.8	99.7	55	kg	1.350
			inch	1.81	2.31	3.93	2.17	lb	2.98
VEP17HDL	1	1	mm	46	58.8	99.7	55	kg	1.300
			inch	1.81	2.31	3.93	2.17	lb	2.87
VEP21HDL	1 1/4	1	mm	55	69.8	106.8	65	kg	1.890
			inch	2.17	2.75	4.20	2.56	lb	4.17
VEP21HDL	1 1/4	1 1/4	mm	55	69.8	106.8	65	kg	1.790
			inch	2.17	2.75	4.20	2.56	lb	3.95
VEP30HDL	1 1/2	1 1/4	mm	65	95	133.5	85	kg	3.400
			inch	2.56	3.74	5.26	3.35	lb	7.50
VEP30HDL	1 1/2	1 1/2	mm	65	95	133.5	85	kg	3.300
			inch	2.56	3.74	5.26	3.35	lb	7.28

VEPHDL NPT and SAE Thread, Flange Ports

PART	BODY SIZE	PORT SIZE	THREAD TYPE	BOLT SIZE FP	ITEM CODE	DESCRIPTION
COUPLER	3/4	3/4	NPT	-	CALL FOR ITEM CODE	F. VEP15HDL 3/4 NPT
COUPLER	3/4	3/4	SAE	-	CALL FOR ITEM CODE	F. VEP15HDL 3/4 SAE
COUPLER	1	1	NPT	-	CALL FOR ITEM CODE	F. VEP17HDL 1 NPT
COUPLER	1	1	SAE	-	CALL FOR ITEM CODE	F. VEP17HDL 1 SAE
COUPLER	1 1/4	1 1/4	BSP	-	810900008	F. VEP21HDL 1 1/4 BSP
COUPLER	1 1/4	1 1/4	NPT	-	810901000	F. VEP21HDL 1 1/4 NPT
COUPLER	1 1/4	1 1/4	SAE	-	810904000	F. VEP21HDL 1 1/4 SAE
COUPLER	1 1/4	1 1/4	FH	-	810924002	F. VEP21HDL 1 1/4 FH CODE 62
COUPLER	1 1/4	1 1/4	FPM	M12	810924004	F. VEP21HDL 1 1/4 FPM CODE 62
COUPLER	1 1/4	1 1/4	FPU	1/2 - 13UNC	810924012	F. VEP21HDL 1 1/4 FPU CODE 62
COUPLER	1 1/2	1 1/2	NPT	-	810901002	F. VEP30HDL 1 1/2 NPT
COUPLER	1 1/2	1 1/2	SAE	-	810904002	F. VEP30HDL 1 1/2 SAE
COUPLER	1 1/2	1 1/2	FPU	5/8 - 11UNC	810924008	F. VEP30HDL 1 1/2 FPU CODE 62
COUPLER	1 1/2	1 1/2	FH	-	810924010	F. VEP30HDL 1 1/2 FH CODE 62
COUPLER	1 1/2	1 1/4	FH	-	810924038	F. VEP30HDL 1 1/4 FH CODE 62



SIZE DIAGRAM VEPHD Flange Pad



THREADED FLAT FACE
COUPLERS

DESCRIPTION	UNIT	F	R	S	T	U	V	W	X	Y	WEIGHT	
											Z	FEMALE
VEP17HDL 1	mm	115.7	70	27.8	13.9	51.8	81.05	22.5	57.2	28.6	kg	2.34
FPU CODE 62	inch	4.56	2.76	1.09	0.55	2.04	3.19	0.89	2.25	1.13	lb	5.15
VEP21HDL 1	mm	116.8	70	27.8	13.9	68	81.05	22.5	57.2	28.6	kg	2.82
FPM CODE 62	inch	4.6	2.76	1.09	0.55	2.68	3.19	0.89	2.25	1.13	lb	6.2
VEP21HDL 1 1/4	mm	115.8	78	31.8	15.9	68	95.25	25.6	66.6	33.3	kg	3.29
FPU CODE 62	inch	4.57	3.07	1.25	0.63	2.68	3.75	1.01	2.62	1.31	lb	7.24
VEP30HDL 1 1/4	mm	148.5	78	31.8	15.9	89	95.25	32	66.6	33.3	kg	5.68
FPU CODE 62	inch	5.85	3.07	1.25	0.63	3.5	3.75	1.26	2.62	1.31	lb	12.5
VEP30HDL 1 1/4	mm	148.5	78	31.8	15.9	89	95.25	32	66.6	33.3	kg	5.68
FPM CODE 62	inch	5.85	3.07	1.25	0.63	3.5	3.75	1.26	2.62	1.31	lb	12.5
VEP30HDL 1 1/2	mm	156.6	95	36.5	18.25	89	112.8	35	79.3	39.65	kg	6.91
FPU CODE 62	inch	6.16	3.74	1.44	0.72	3.5	4.44	1.38	3.12	1.56	lb	15.2

VEPHDL Series Accessories Aluminum | Coupler Dust Plug | Coupler Dust Cap

SIZE	PART	ORDER CODE	DESCRIPTION	PART	ORDER CODE	DESCRIPTION
VEPHDL COUPLER DUST PLUG			VEPHDL COUPLER DUST CAP			
3/4	PLUG	815300036	CAP F. VEP15R	CAP	815300037	CAP M. VEP15R
1	PLUG	815300038	CAP F. VEP17R	CAP	815300039	CAP M. VEP17R
1 1/4	PLUG	815300040	CAP F. VEP21R	CAP	815300041	CAP M. VEP21R
1 1/2	PLUG	815300028	CAP F. VEP30R	CAP	815300029	CAP M. VEP30R



Plug



Cap

Replacement Lock Pin

SIZE	ORDER CODE	DESCRIPTION
3/4	CALL FOR ITEM CODE	VEPHDL 15 LOCK PIN
1	CALL FOR ITEM CODE	VEPHDL 17 LOCK PIN
1 1/4	815701187	VEPHDL 21 LOCK PIN
1 1/2	815701188	VEPHDL 30 LOCK PIN