

FIRGQ SERIES – QPQ PLATING

FLAT FACE COUPLERS ISO 16028 Interchange

The FIRGQ Series Flat Face Couplings

utilize QPQ plating technology for a corrosion-resistant finish that is superior to zinc plating in specific corrosive environments. It is a low-cost alternative to cost-prohibitive stainless steel applications and can be supplied with a variety of seals for fluid compatibility and operating temperature requirements.

Repair Kits, Protective Caps & Plugs – page 35



FEATURES

Size range: 1/4" thru 2"

Port options: NPT, BSP

Interchanges with ISO 16028

Working pressure: 20-30 MPa/2900-4350 psi range

- QPQ plating treatment for corrosion-resistant finish
- Non-spill design avoids fluid loss during connection/disconnection
- Minimal air inclusion during connection

APPLICATIONS

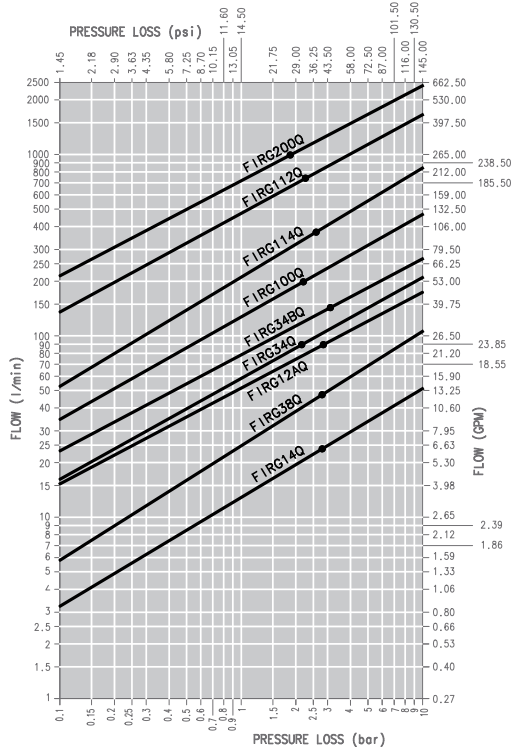
Low and medium corrosion environments

- Systems operating on mineral oil, steam, water, or other low- or medium-corrosive fluids
- Steel mills, various industrial process applications, tire manufacturing, state/ municipal right-of-way spraying



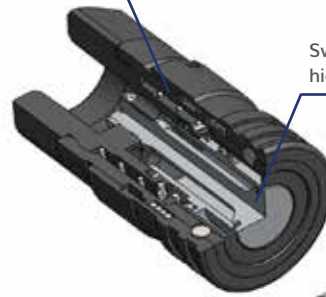


PRESSURE DROP



OIL = ISO VG32, TEMP = 40C, VISCOSITY = 28.8-35.2 MM²/S

Flat face valves w/ safety lock to prevent accidental disconnection



Swaged and PTFE U seals for high resistance against extrusion



QPQ plating integrated w/ carbon steel external/ stainless steel internal parts

PERFORMANCE NBR, Viton, EPDM Seals

DESCRIPTION	SIZE	MAX. OPERATING PRESSURE COUPLED		COUPLED		BURST PRESSURE MALE		BURST PRESSURE FEMALE		SPILLAGE*
		MPa	psi	MPa	psi	MPa	psi	MPa	psi	
FIRG14Q	1/4	30	4350	120	17400	120	17400	48	6960	0.006
FIRG38Q-12Q	3/8	30	4350	120	17400	120	17400	60	8700	0.012
FIRG12A-34Q	1/2	25	3625	100	14500	100	14500	48	6960	0.020
FIRG34BQ	5/8	25	3625	100	14500	100	14500	48	6960	0.026
FIRG100Q	3/4	25	3625	100	14500	90	13050	40	5800	0.032
FIRG114Q	1	25	3625	100	14500	90	13050	40	5800	0.035
FIRG112Q	1 1/2	20	2900	60	8700	60	8700	32	4640	0.050
FIRG200Q	2	20	2900	60	8700	60	8700	32	4640	0.100

PERFORMANCE FIRGQ with Kalrez Seals High-Temp Applications

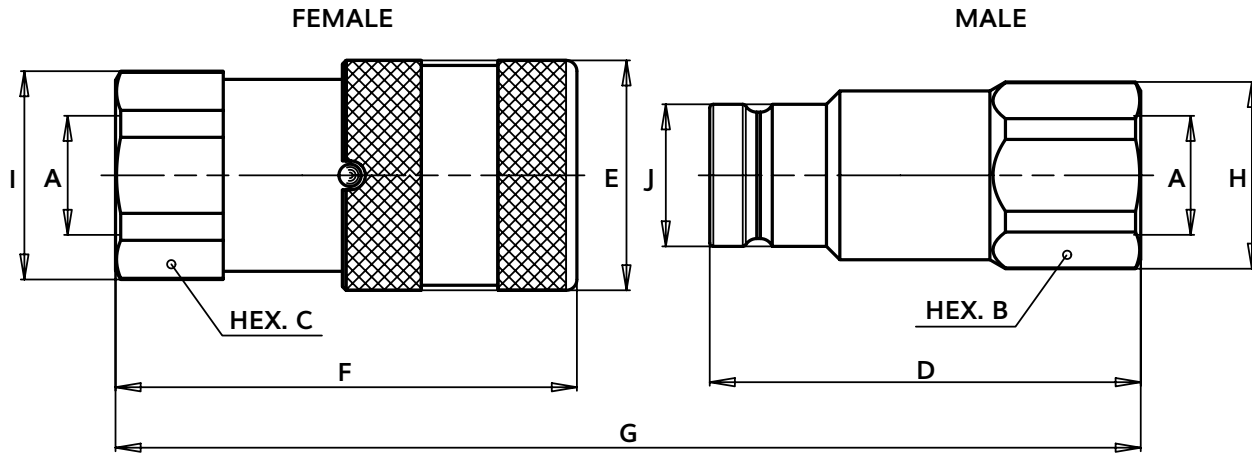
DESCRIPTION	SIZE	MAX. OPERATING PRESSURE COUPLED		COUPLED		BURST PRESSURE MALE		BURST PRESSURE FEMALE		SPILLAGE*
		MPa	psi	MPa	psi	MPa	psi	MPa	psi	
FIRG12A-34QK	1/2	5	725	100	14500	100	14500	48	6960	0.020
FIRG34BQK	5/8	5	725	100	14500	100	14500	40	5800	0.026
FIRG100QK	3/4	5	725	100	14500	90	13050	60	8700	0.032
FIRG114QK	1	5	725	100	14500	90	13050	60	8700	0.035
FIRG112QK	1 1/2	5	725	40	5800	40	5800	32	4640	0.050
FIRG200QK	2	5	725	40	5800	40	5800	32	4640	0.100

* Spillage is an indicative value of the fluid loss per couple-uncouple cycle.

FIRGQ SERIES – QPQ PLATING

FLAT FACE COUPLERS ISO 16028 Interchange

SIZE DIAGRAM



DESCRIPTION	BODY SIZE	A	UNIT											WEIGHT	
				B	C	D	E	F	G	H	I	J	UNIT	MALE	FEMALE
FIRG14Q	1/4	1/4	mm	22.0	22.0	47.9	28.0	48.1	85.2	23.8	24.0	16.1	kg	0.085	0.135
			inch	0.87	0.87	1.89	1.10	1.89	3.35	0.94	0.94	0.63	lb	0.19	0.30
FIRG38Q	3/8	3/8	mm	24.0	27.0	60.0	32.0	64.2	108.7	26.0	29.0	19.7	kg	0.120	0.240
			inch	0.94	1.06	2.36	1.26	2.53	4.28	1.02	1.14	0.78	lb	0.26	0.53
FIRG12Q	3/8	1/2	mm	27.0	27.0	62.5	32.0	69.2	116.2	29.0	29.0	19.7	kg	0.130	0.236
			inch	1.06	1.06	2.46	1.26	2.72	4.57	1.14	1.14	0.78	lb	0.29	0.52
FIRG12AQ	1/2	1/2	mm	32.0	32.0	68.0	38.0	73.8	124.5	33.8	33.8	24.5	kg	0.239	0.384
			inch	1.26	1.26	2.68	1.50	2.91	4.90	1.33	1.33	0.96	lb	0.53	0.85
FIRG34Q	1/2	3/4	mm	36.0	36.0	70.5	38.0	80.8	134.0	38.5	38.5	24.5	kg	0.227	0.430
			inch	1.42	1.42	2.78	1.50	3.18	5.28	1.52	1.52	0.96	lb	0.50	0.95
FIRG34BQ	5/8	3/4	mm	36.0	36.0	70.5	42.0	78.5	131.4	38.5	38.5	27.0	kg	0.268	0.473
			inch	1.42	1.42	2.78	1.65	3.09	5.17	1.52	1.52	1.06	lb	0.59	1.04
FIRG100Q	3/4	1	mm	45.0	45.0	82.3	48.0	93.2	153.5	47.8	47.8	30.0	kg	0.406	0.765
			inch	1.77	1.77	3.24	1.89	3.67	6.04	1.88	1.88	1.18	lb	0.90	1.69
FIRG114Q	1	1 1/4	mm	55.0	55.0	89.8	55.0	106.0	172.8	59.8	59.8	36.0	kg	0.645	1.240
			inch	2.17	2.17	3.54	2.17	4.17	6.80	2.35	2.35	1.42	lb	1.42	2.73
FIRG112Q	1 1/2	1 1/2	mm	70.0	65.0	111.0	80.0	132.4	214.8	76.0	72.0	57.0	kg	1.865	2.823
			inch	2.76	2.56	4.37	3.15	5.21	8.46	2.99	2.83	2.24	lb	4.11	6.22
FIRG200Q	2	2	mm	75.0	80.0	123.8	100.0	156.6	241.5	83.5	88.5	73.0	kg	2.259	5.100
			inch	2.95	3.15	4.87	3.94	6.17	9.51	3.29	3.48	2.87	lb	4.98	11.24



FIRGQ NPT Thread Flat Face with QPQ Plating | ISO 16028

PART	BODY SIZE	PORT SIZE	THREAD TYPE	ORDER CODE	DESCRIPTION
FIRGQ NPT THREAD					
COUPLER	1/4	1/4	NPT	800901000	F. FIRG 14 QN NPT
NIPPLE	1/4	1/4	NPT	800901001	M. FIRG 14 QN NPT
COUPLER	3/8	3/8	NPT	800901002	F. FIRG 38 QN NPT
NIPPLE	3/8	3/8	NPT	800901003	M. FIRG 38 QN NPT
COUPLER	3/8	1/2	NPT	800901004	F. FIRG 12 QN NPT
NIPPLE	3/8	1/2	NPT	800901005	M. FIRG 12 QN NPT
COUPLER	1/2	1/2	NPT	800901006	F. FIRG 12A QN NPT
NIPPLE	1/2	1/2	NPT	800901007	M. FIRG 12A QN NPT
COUPLER	1/2	3/4	NPT	800901008	F. FIRG 34 QN NPT
NIPPLE	1/2	3/4	NPT	800901009	M. FIRG 34 QN NPT
COUPLER	5/8	3/4	NPT	800901010	F. FIRG 34B QN NPT
NIPPLE	5/8	3/4	NPT	800901011	M. FIRG 34B QN NPT
COUPLER	3/4	1	NPT	800901012	F. FIRG 100 QN NPT
NIPPLE	3/4	1	NPT	800901013	M. FIRG 100 QN NPT
COUPLER	1	1 1/4	NPT	800901014	F. FIRG 1 1/4 QN NPT
NIPPLE	1	1 1/4	NPT	800901015	M. FIRG 1 1/4 QN NPT
COUPLER	1 1/2	1 1/2	NPT	800901016	F. FIRG 1 1/2 QN NPT
NIPPLE	1 1/2	1 1/2	NPT	800901017	M. FIRG 1 1/2 QN NPT
COUPLER	2	2	NPT	800901018	F. FIRG 200 QN NPT
NIPPLE	2	2	NPT	800901019	M. FIRG 200 QN NPT



Coupler



Nipple

FIRGQ Series Accessories Coupler Dust Cap | Nipple Dust Cap

BODY SIZE	PORT SIZE	ORDER CODE	DESCRIPTION	ORDER CODE	DESCRIPTION
COUPLER / FEMALE DUST CAP			NIPPLE / MALE DUST CAP		
1/4	1/4	815100000	CAP F. FIRG14/A7	815100001	CAP M. FIRG14/A7
3/8	3/8			815100003	CAP M. FIRG38/A9
3/8	3/8 & 1/2	815100002	CAP F. FIRG38/A9/FIRG12	815100005	CAP M. FIRG12/A9
1/2	1/2	815100004	CAP F. FIRG12A/A13	815100007	CAP M. FIRG12A/A13
1/2	1/2 & 3/4	815100006	CAP F. FIRG34/A13	815100009	CAP M. FIRG34/A13
5/8	3/4	815100008	CAP F. FIRG34B/A15	815100011	CAP M. FIRG34B/A15
3/4	3/4	815100010	CAP F. FIRG100/A17	815100013	CAP M. FIRG100/A17
1	1	815100012	CAP F. FIRG114/A21	815100015	CAP M. FIRG114/A21
1 1/4	1 1/4	815205020	CAP F. A25	815205021	CAP M. A25
1 1/2	1 1/2	815100014	CAP F. FIRG112/A30	815100017	CAP M. FIRG 112/A30
2	2	815100016	CAP F. FIRG 200	815100019	CAP M. FIRG 200



Female Cap



Male Cap

Additional colors available upon request

Repair Kits

ORDER CODE	DESCRIPTION
FIRGQ SERIES	
815700001	KIT M. FIRG 14
815700003	KIT M. FIRG 38/12
815700005	KIT M. FIRG 12A/34
815700007	KIT M. FIRG 34B
815700009	KIT M. FIRG 100
815700011	KIT M. FIRG 114
815700013	KIT M. FIRG 112
815700015	KIT M. FIRG 200

